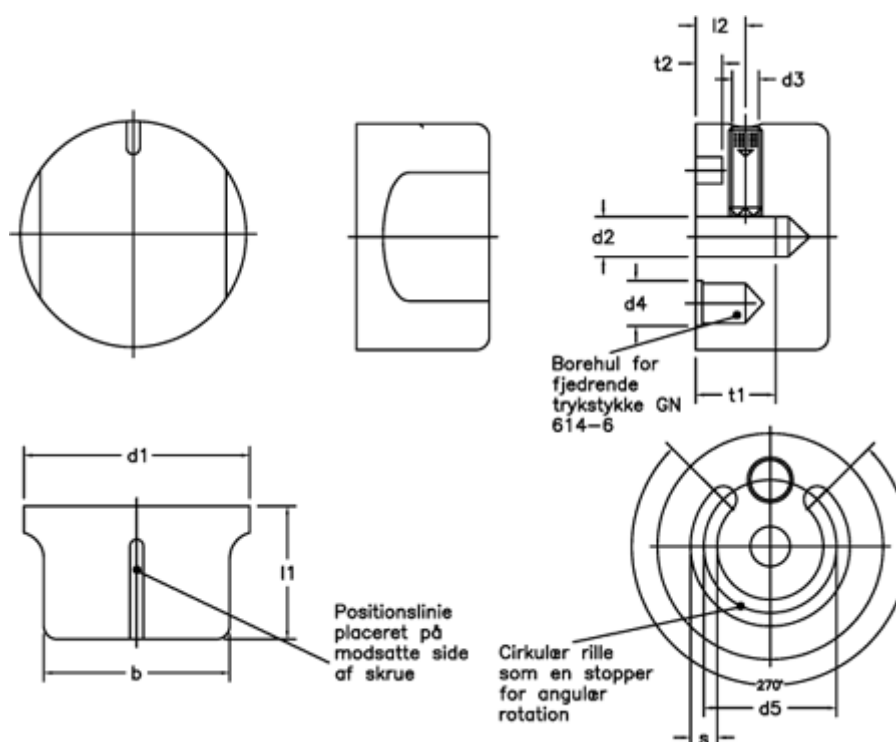


Article number: 20524208

Description: E+G Control knob
GN 729-42-B10

Measures



$b = 35$	$s = 4$
$d1 = 42$	$t1 \text{ min.} = 16$
$d2 = B10$	$t2 = 4$
$d3 = M5$	
$d4 = 6$	
$d5 = 30$	
$l1 = 22$	
$l2 = 7.5$	